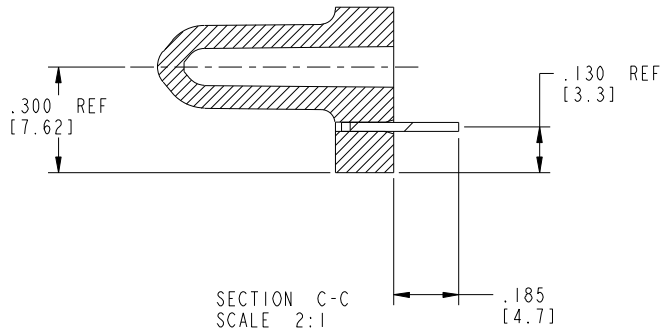
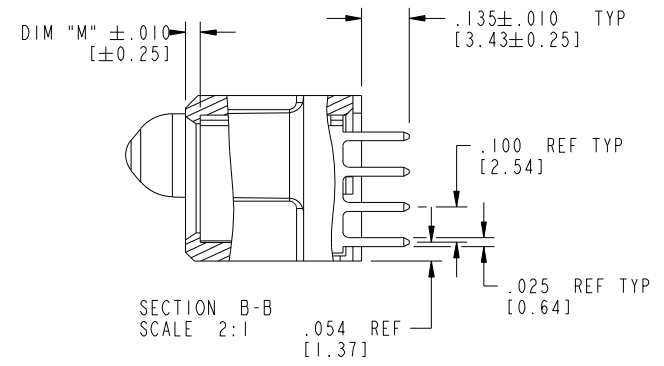
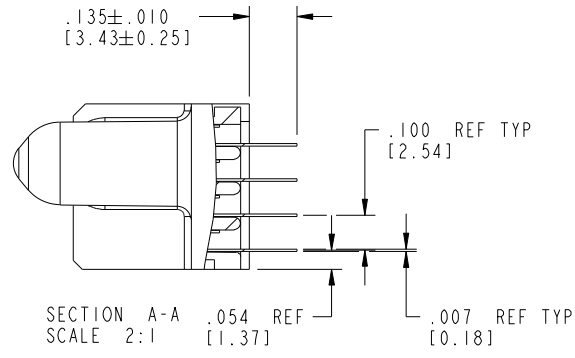

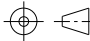


Tous droits strictement reserves. Reproduction ou communication a des tiers interdite sous quelque forme que ce soit sans autorisation écrite du propriétaire. Propriete de c FCI. Droits de reproduction FCI.

All rights strictly reserved. Reproduction or issue to third parties in any form whatever is not permitted without written authority from the proprietor. Property of FCI. Copyright FCI.

PRODUCT NUMBER
51940-038__
Note: ③



mat'l code		SEE NOTE 2		tolerances unless otherwise specified		CUSTOMER		 www.fciconnect.com	
ltr	ecn no.	dr	date	linear	.XX ± .01 / 0.X ± 0.3	COPY		title	
D					.XXX ± .005 / 0.XX ± 0.13	projection		4P + 28S + 4P	
				angles	.XXX ± .0020 / 0.XXX ± 0.051			VERTICAL SOLDER RECEIPT	
					0° ± 2°	INCH/MM		product family	
		dr	M.MOSTOLLER	4/7/03		scale		PwrBlade	
		enr	M.MOSTOLLER	4/7/03		1:1		code	
		chr	H.BREWBAKER	4/7/03		A		213	
		appd	M.MOSTOLLER	4/7/03		51940-038		sheet	
sheet index		revision sheet						2 of 4	

cage code 22526

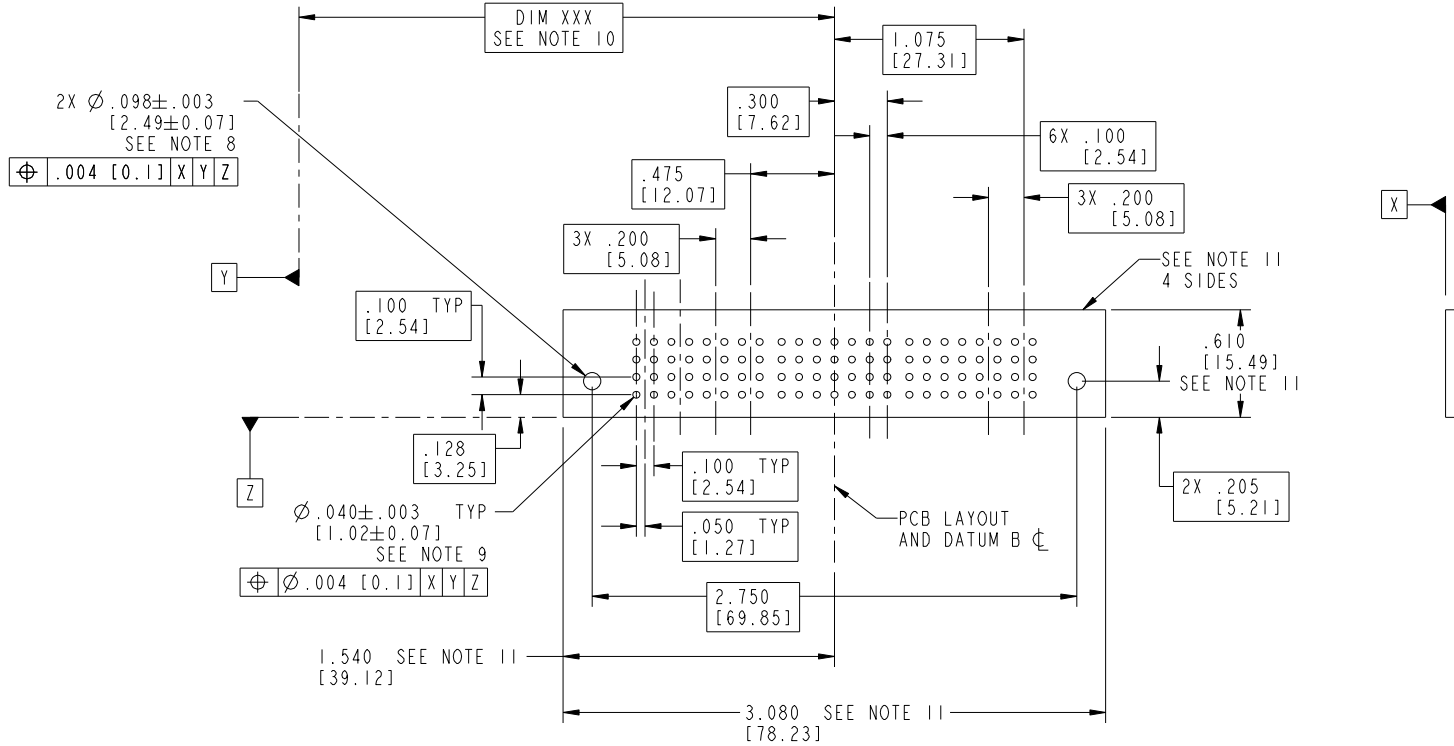
Pro/E

Tous droits strictement réservés. Reproduction ou communication à des tiers interdite sous quelque forme que ce soit sans autorisation écrite du propriétaire. Propriété de c.FCI. Droits de reproduction FCI.



All rights strictly reserved. Reproduction or issue to third parties in any form whatever is not permitted without written authority from the proprietor. Property of FCI. Copyright FCI.

PRODUCT NUMBER
51940-038__
Note: ③



RECOMMENDED PCB LAYOUT

mat'l code				SEE NOTE 2		tolerances unless otherwise specified		CUSTOMER		 www.fciconnect.com	
ltr	ecr no.	dr	date	linear	.XX±.01/0.X±0.3		COPY		title 4P + 28S + 4P VERTICAL SOLDER RECEPT		
D					.XXX±.005/0.XX±0.13		projection				
				angles	.XXX±.0020/0.XXX±0.051		INCH/MM		product family PwrBlade code 213		
					0°±2°		scale		size dwg no 213		
				dr	M.MOSTOLLER	4/7/03	1:1		sheet 3 of 4		
				enr	M.MOSTOLLER	4/7/03			A 51940-038		
				chr	H.BREWBAKER	4/7/03					
				appd	M.MOSTOLLER	4/7/03					
sheet index	revision sheet										

cage code 22526

Pro/E

Tous droits strictement reserves. Reproduction ou communication a des tiers interdite sous quelque forme que ce soit sans autorisation écrite du propriétaire. Propriete de c FCI. Droits de reproduction FCI.



All rights strictly reserved. Reproduction or issue to third parties in any form whatever is not permitted without written authority from the proprietor. Property of FCI. Copyright FCI.

PRODUCT NUMBER
51940-038__
Note: ③

NOTES:

1. DIMENSIONS AND TOLERANCES ARE IN ACCORDANCE WITH ASME Y14.5M, 1994 UNLESS OTHERWISE SPECIFIED.

CONNECTOR NOTES:

② HOUSING MATERIAL: UL 94 V-0 GLASS FILLED
HIGH-TEMP THERMOPLASTIC
POWER CONTACT MATERIAL: COPPER ALLOY
SIGNAL PIN MATERIAL: COPPER ALLOY

③ PLATING:
⚠ SEE ITEM 5 & 6 IN PRINT 10064183 FOR PLATING SPEC OF 51940-038 AND 51940-038LF RESPECTIVELY

④ MANUFACTURER'S NAME, P/N, AND DATE CODE TO APPEAR ON THIS SURFACE.

5. PRODUCT SPECIFICATION GS-12-149.
APPLICATION SPECIFICATION BUS-20-067.

6. PACKAGED IN TRAYS.

PCB NOTES:

7. ALL HOLE DIAMETERS ARE FINISHED HOLE SIZE.

⑧ MOUNTING HOLES, WHERE APPLICABLE, ARE UNPLATED.

⑨ $\varnothing .0453 \pm .0010$ [1.151 ± 0.025] DRILLED HOLES PLATED WITH
.0003 [0.008] MIN SnPb OVER .001 [0.03]
TO .003 [0.08] Cu PLATING TO ACHIEVE
 $\varnothing .040 \pm .003$ [1.02 ± .07] HOLE.

⑩ "DIM XXX" TO BE DETERMINED BY THE CUSTOMER.

⑪ CONNECTOR KEEP-OUT ZONE.

12. A ⚠ SYMBOL WILL BE NEXT TO ANY DIMENSION, VIEW, OR NOTE WHICH HAS BEEN MODIFIED WITH CURRENT DRAWING VERSION

mat'l code		SEE NOTE 2		tolerances unless otherwise specified		CUSTOMER		FCI		www.ficconnect.com	
ltr	ecn no.	dr	date	linear	.XX±.01/0.X±0.3	COPY		projection		title	
D					.XXX±.005/0.XX±0.13	INCH/MM				4P + 28S + 4P	
				angles	.XXX±.002/0.XXX±0.051	scale				VERTICAL SOLDER RECEPT	
				dr	0° ± 2°	1:1		product family		code	
				enr	M.MOSTOLLER 4/7/03	A		PwrBlade		213	
				chr	M.MOSTOLLER 4/7/03			size		sheet	
				appd	H.BREWBAKER 4/7/03			dwg no		4 of 4	
					M.MOSTOLLER 4/7/03			51940-038			
sheet index	revision sheet										

Pro/E cage code 22526